

Quick Acting Couplings

Application:

- full flow coupling used on utility air, water, and nitrogen lines

Materials:

- machined components: solid steel, brass, or 303 stainless steel bar stock
- steel couplings with zinc cast sleeve
- 1 piece sleeve retaining ring and spring: stainless steel
- 2 piece sleeve: phosphor bronze spring
- componentry: steel plated using ROHS Compliant Trivalent Chrome

Features:

- unisex design
- spring loaded interlocking engagement
- corrosion resistant coating
- smooth ID permits full flow paths to tool
- optional locking key prevents accidental sleeve retraction
- interchangeable with Thor PHC Series, National brands Series A, Dual-Lock and Campbell double lock

Specifications:

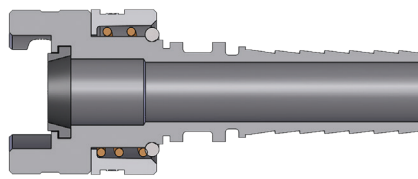
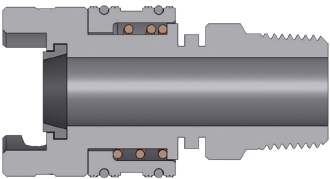
- working pressure: **300 PSI**
- operating temperature: **-40° to 250°F (-40° to 121°C)**
- hose barb
- male pipe thread
- female pipe thread
- locking sleeve
- knurled flange sleeve

Connection:

- Push and Twist
Locking clip (part # 4P-CLIP) is available to prevent unintentional disconnection.

Disconnection:

- Pull and Twist
Never attempt to disconnect any hose while pressure is in the line.



Safety

Dixon® couplings and retention devices are designed to work safely for their intended use. The selection of the proper hose, coupling and retention device, and the proper application of the coupling to the hose are of utmost importance.

Users must consider the size, temperature, application, media, pressure and hose and coupling manufacturer's recommendations when selecting the proper hose assembly components. Dixon® recommends that all hose assemblies be tested in accordance with the Association for Rubber Products Manufacturer's (ARPM) recommendations and be inspected regularly (before each use) to ensure that they are not damaged or have become loose. Visit ARPMINC.com for more information.

Where safety devices are integral to the coupling, they must be working and utilized. The use of supplementary safety devices such as safety clips or safety cables are recommended.

If any problem is detected, couplings must be removed from service immediately.

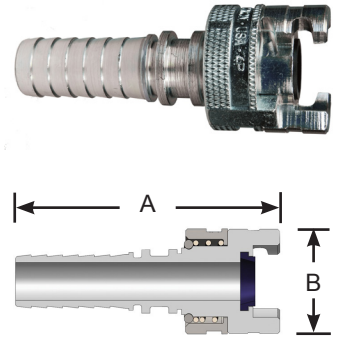
Dixon® is available to consult, train and recommend the proper selection and application of all fittings we sell. We strongly recommend that distributors and end users make use of Dixon® Testing and Recommendation Services. Call 877.963.4966 or visit dixonvalve.com/safety to learn more.

Hose Barb with Locking Sleeve

Body Size	Hose Size	Part #		
		Plated Steel	Brass	Stainless Steel
1/2"	3/8"	4PS3	---	---
1/2"	1/2"	4PS4	4PS4-B	---
1/2"	3/4"	4PS6	4PS6-B	4PS6-S
1/2"	1"	4PS8	4PS8-B	---

Dimensions

Size	A	B
3/8"	3.53"	1.55"
1/2"	3.95"	1.55"
3/4"	3.95"	1.55"
1"	6.06"	1.55"

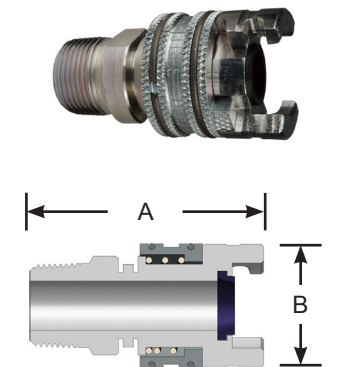


Male Pipe Thread with Locking Sleeve

Body Size	Threads	Part #		
		Plated Steel	Brass	Stainless Steel
1/2"	3/8"	4PM3	---	---
1/2"	1/2"	4PM4	---	---
1/2"	3/4"	4PM6	---	4PM6-S
1/2"	1"	4PM8	---	---

Dimensions

Size	Flat	A	B
3/8"	7/8"	2.93"	1.55"
1/2"	7/8"	2.94"	1.55"
3/4"	1 1/16"	2.98"	1.55"
1"	1 3/8"	3.11"	1.55"

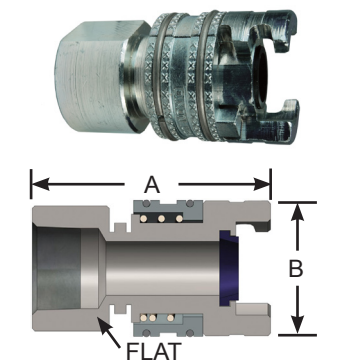


Female Pipe Thread with Locking Sleeve

Body Size	Threads	Part #		
		Plated Steel	Brass	Stainless Steel
1/2"	1/2"	4PF4	---	---
1/2"	3/4"	4PF6	4PF6-B	4PF6-S

Dimensions

Size	Flat	A	B
1/2"	1 1/4"	2.75"	1.55"
3/4"	1 1/4"	2.75"	1.55"



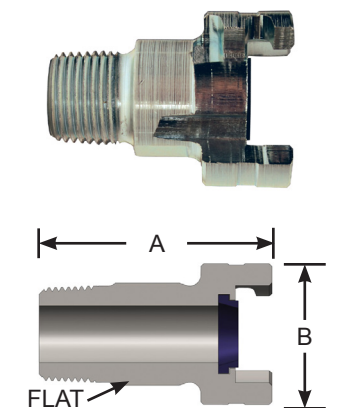
Male Pipe Thread

Must be used with locking sleeve fittings above.

Body Size	Threads	Part #		
		Plated Steel	Brass	Stainless Steel
1/2"	3/8"	P4M3	---	---
1/2"	1/2"	P4M4	P4M4-B	---
1/2"	3/4"	P4M6	P4M6-B	P4M6-S
1/2"	1"	P4M8	P4M8-B	---

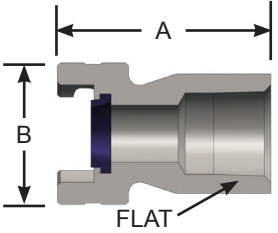
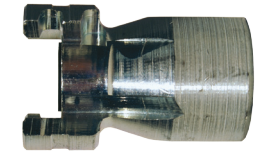
Dimensions

Size	Flat	A	B
3/8"	7/8"	2.00"	1.55"
1/2"	1 5/16"	2.25"	1.55"
3/4"	1 1/8"	2.55"	1.55"
1"	1 3/8"	3.25"	1.55"



Female Pipe Thread

Must be used with locking sleeve fittings on page 3.



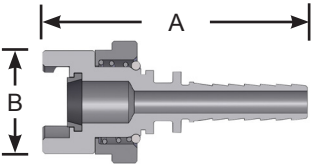
Body Size	Threads	Part #		
		Plated Steel	Brass	Stainless Steel
1/2"	3/8"	P4F3	---	---
1/2"	1/2"	P4F4	P4F4-B	---
1/2"	3/4"	P4F6	P4F6-B	P4F6-S
1/2"	1"	P4F8	P4F8-B	---

Dimensions

Size	Flat	A	B
3/8"	7/8"	1.79"	1.55"
1/2"	1-5/16"	2.25"	1.55"
3/4"	1-5/16"	2.34"	1.55"
1"	1-7/16"	2.76"	1.55"

Hose Barb with Knurled Flanged Sleeve

Large, raised collar sleeve permits easier handling when wearing gloves.



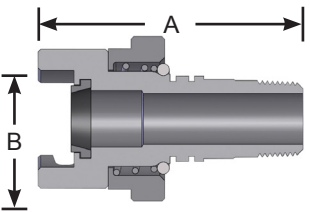
Body Size	Hose Size	Part #	
		Plated Steel	
1/2"	3/8"	4PS3-FS	
1/2"	1/2"	4PS4-FS	
1/2"	3/4"	4PS6-FS	

Dimensions

Size	A	B
3/8"	3.53"	1.81"
1/2"	3.95"	1.81"
3/4"	3.95"	1.81"

Male Pipe Thread with Knurled Flanged Sleeve

Large, raised collar sleeve permits easier handling when wearing gloves.



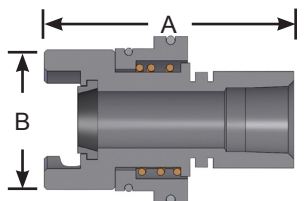
Body Size	Threads	Part #	
		Plated Steel	
1/2"	3/8"	4PM3-FS	
1/2"	1/2"	4PM4-FS	
1/2"	3/4"	4PM6-FS	

Dimensions

Size	A	B
3/8"	2.93"	1.81"
1/2"	2.98"	1.81"
3/4"	2.98"	1.81"

Female Pipe Thread with Knurled Flanged Sleeve

Large, raised collar sleeve permits easier handling when wearing gloves.



Body Size	Threads	Part #	
		Plated Steel	
1/2"	1/2"	4PF4-FS	
1/2"	3/4"	4PF6-FS	

Dimensions

Size	A	B
1/2"	2.75"	1.81"
3/4"	2.75"	1.81"

Replacement Gaskets



Part #	Description
4P-SKIT	Buna-N (standard)
F-4P-SKIT	FKM

Sleeve Locking Key

- fits couplings with locking sleeve
- prevents sleeve retraction

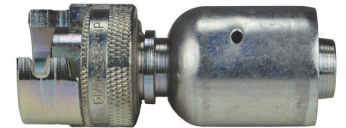


Part #
4P-CLIP

Dual-Lock with Ferrule

- can be crimped
- also available in brass and stainless steel
- 3/8" and 1" sizes available upon request, contact Dixon®

Body Size	Hose Size	OD Range		Part #
		From:	To:	
1/2"	1/2"	54/64"	12/64"	4PS4-WF
1/2"	3/4"	110/64"	122/64"	4PS6-WF



Safety Cables



When hose, couplings or clamps fail, or there is an accidental separation of the assembly, King™ Safety Cables minimize damage to equipment and injuries to operators. King™ Safety Cable reaches across the hose fittings to provide standby safety for hose. Spring-loaded loops in the cable ends open easily to pass over the couplings for a firm grip on the hose. Thoroughly tested with years of service. A positive safeguard for air hose connections - helps you meet today's safety standards. King™ Safety Cable must be installed in the extended position (no slack).

Features:

- cable reaches across hose fittings to provide standby safety for hose
- spring loaded loops in the cable ends open easily to pass over the couplings for a firm grip on the hose
- highly resistant to rust and corrosion
- no tools needed - easy to install and remove
- cables shipped with safety restraint labels attached
- low cost answer to eliminating injuries caused by broken air hose connections
- hose-to-hose or hose-to-rigid outlet
- King™ Cable is the low cost answer to eliminate injuries caused by broken air hose connections
- maximum operating pressure: **200 PSI**



Hose End

Tool End



Hose End

Hose End

Style WSR, for hose-to-tool service

Cable	Part #	Hose ID	Length	Max. Working Pressure (PSI)
1/8"	WSR1	1/2" - 1 1/4"	20 1/4"	200
3/16"	WSR3	1/2" - 2"	28"	200
1/4"	WSR2	1 1/2" - 3"	38"	200
3/8"	WSR4	4"	44"	200

Style W, for hose-to-hose service

Cable	Part #	Hose ID	Length	Max. Working Pressure (PSI)
1/8"	WB1	1/2" - 1 1/4"	20 1/4"	200
3/16"	WB3	1/2" - 2"	28"	200
1/4"	WA2	1 1/2" - 3"	38"	200
3/8"	WA4	4"	44"	200

Other cable options are available.

Reference OSHA regulations standards - 29 CFR, 1915.131, 1926.302, and 1926.603

⚠ WARNING

The constant vibration created by air tools, like air drills and pavement breakers, is destructive to air hose couplings, especially the quick-acting type. To provide protection against coupling breakage and related hazards, Dixon® recommends the use of a whip hose. To construct a whip hose, connect one end of a short (3' to 10') air hose to the air tool using a 3500 type steel nipple. Connect the other end of the hose to the air supply using the standard quick-acting coupling. The heat-treated 3500 nipple will withstand vibration far better than the standard coupling and provide a safer connection. The whip hose should remain permanently connected to the tool.

Crimped Recommendation Guide

The chart below is only a guide. It will not apply to every coupling situation. In some instances alternative dies and crimping dimensions must be employed to ensure safety. Experience has shown that variances in the construction of similar hoses and couplings may cause some assemblies to react differently when crimped. It is not uncommon to find hose with an outer diameter that fluctuates from one end to the other or from production lot to production lot. These inconsistencies coupled with the inherent differences between textile or wire braid, hard or soft wall, the presence or absence of an internal spiral wire and the differences in hose coverings make it difficult to establish hard and fast rules. Therefore, it is imperative that hose dimensions are accurately measured, assemblies are tested, and documentation is maintained. Visit dixonvalve.com/knowledge-center/interactive-tools/crimp-swage for the most current crimp recommendations

Hose ID	Part #	Hose OD		Crimp Diameter (± 0.005)	Crimp Length	% Reduction
		Fractional	Decimal			
½"	4PS4-WF	54/64	0.844	0.917	1¼	18.9
		55/64	0.859	0.929	1¼	18.9
		56/64	0.875	0.942	1¼	18.9
		57/64	0.891	0.954	1¼	19.0
		58/64	0.906	0.967	1¼	19.0
		59/64	0.922	0.980	1¼	19.0
		60/64	0.938	0.992	1¼	19.0
		61/64	0.953	1.005	1¼	19.0
		62/64	0.969	1.018	1¼	19.0
		63/64	0.984	1.030	1¼	19.0
		1	1.000	1.043	1¼	19.0
		1 ¹ /64	1.016	1.056	1¼	19.0
		1 ² /64	1.031	1.068	1¼	19.0
		¾"	4PS6-WF	1 ¹ /64	1.156	1.220
1 ¹¹ /64	1.171			1.235	1¼	18.0
1 ¹² /64	1.187			1.245	1¼	18.7
1 ¹³ /64	1.203			1.260	1¼	18.1
1 ¹⁴ /64	1.218			1.270	1¼	18.8
1 ¹⁵ /64	1.234			1.285	1¼	18.2
1 ¹⁶ /64	1.250			1.295	1¼	18.8
1 ¹⁷ /64	1.265			1.310	1¼	18.4
1 ¹⁸ /64	1.281			1.320	1¼	18.8
1 ¹⁹ /64	1.296			1.335	1¼	18.5
1 ² /64	1.312			1.345	1¼	19.0
1 ²¹ /64	1.328			1.360	1¼	18.5
1 ²² /64	1.343			1.370	1¼	19.0

Installation Guide

Procedure 2306

- Prepare the hose.
- Visit dixonvalve.com/knowledge-center/interactive-tools/crimp-swage for the most current crimp recommendations.
- Depending upon type of crimper, set crimp diameter on machine or select die cage and spacers to achieve required crimp diameter.
- Measure the distance from the end of the ferrule to the stem collar. Place a mark (line) on the hose (from the hose end) corresponding with this distance.
- Insert the coupling into the hose until the end of the ferrule is even with the line just placed on the hose.
- Mark the crimp length on the ferrule.
- Insert the coupling through the crimper die segments until the line on the ferrule is at the end of the die segments. Jog the machine until the die segments lightly contact the ferrule. Adjust fitting, if necessary, to ensure line is at end of die segments.
- With light pressure on hose to ensure stem collar is contacting ferrule, activate the crimper until desired crimp diameter has been achieved.
- Reverse machine and remove the coupling from the die segments. Measure the crimp diameter with dial calipers or micrometer.
- Test assembly if required.

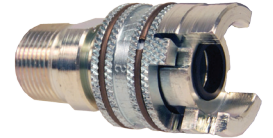
Dual Lock Interchange Guide Hose Barb with Locking Sleeve

Size	Material	Dixon Part #	Previous Part #	Campbell Part #	National Part #
3/8"	steel	4PS3	PHL6	TLH-38	HS6
1/2"	steel	4PS4	PHL8	TLH-2	HS8
3/4"	steel	4PS6	PHL12	TLH-3	HS12
	brass stainless	4PS6-B 4PS6-S	PHLB12 PHL12SS	TLHB-3 ---	HB12 ---
1"	steel	4PS8	PHL16	TLH-4	HS16
	brass	4PS8-B	PHLB16	---	---



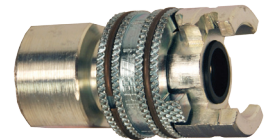
Male Pipe Thread with Locking Sleeve

Size	Material	Dixon Part #	Previous Part #	Campbell Part #	National Part #
3/8"	steel	4PM3	PML6	TLM-38	MLS6
1/2"	steel	4PM4	PML8	TLM-2	MLS8
3/4"	steel	4PM6	PML12	TLM-3	MLS12
	stainless	4PM6-S	PML12SS	TLMSS-3	---



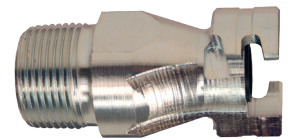
Female Pipe Thread with Locking Sleeve

Size	Material	Dixon Part #	Previous Part #	Campbell Part #	National Part #
1/2"	steel	4PF4	PFL8	TLF-2	FLS8
3/4"	steel	4PF6	PFL12	TLF-3	FLS12
	stainless	4PF6-S	PFL12SS	TLFSS-3	---



Male Pipe Thread

Size	Material	Dixon Part #	Previous Part #	Campbell Part #	National Part #
3/8"	steel	P4M3	PM6	TM-38	MS6
1/2"	steel	P4M4	PM8	TM-2	MS8
	brass	P4M4-B	PMB8	---	MB8
3/4"	steel	P4M6	PM12	TM-3	MS12
	brass	P4M6-B	PMB12	---	MB12
	stainless	P4M6-S	PM12SS	TMSS-3	---
1"	steel	P4M8	PM16	TM-4	MS16
	brass	P4M8-B	PMB16	---	---



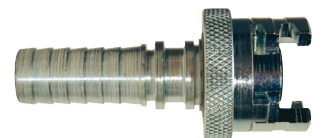
Female Pipe Thread

Size	Material	Dixon Part #	Previous Part #	Campbell Part #	National Part #
3/8"	steel	P4F3	PF6	TF-38	FS6
1/2"	steel	P4F4	PF8	TF-2	FS8
	brass	P4F4-B	PFB8	---	FB8
3/4"	steel	P4F6	PF12	TF-3	FS12
	brass	P4F6-B	PFB12	---	FB12
	stainless	P4F6-S	PF12SS	TFSS-3	---
1"	steel	P4F8	PF16	TF-4	FS16
	brass	P4F8-B	PFB16	---	---



Hose Barb with Knurled Flanged Sleeve

Size	Material	Dixon Part #	Previous Part #	Campbell Part #	National Part #
3/8"	steel	4PS3-FS	PHL6FS	---	---
1/2"	steel	4PS4-FS	PHL8FS	---	---
3/4"	steel	4PS6-FS	PHL12FS	---	---



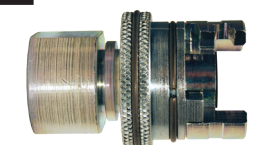
Male Pipe Thread with Knurled Flanged Sleeve

Size	Material	Dixon Part #	Previous Part #	Campbell Part #	National Part #
3/8"	steel	4PM3-FS	PML6FS	---	---
1/2"	steel	4PM4-FS	PML8FS	---	---
3/4"	steel	4PM6-FS	PML12FS	---	---



Female Pipe Thread with Knurled Flanged Sleeve

Size	Material	Dixon Part #	Previous Part #	Campbell Part #	National Part #
1/2"	steel	4PF4-FS	PFL8FS	---	---
3/4"	steel	4PF6-FS	PFL12FS	---	---



Dixon®, founded in 1916, is a premier manufacturer and supplier of hose couplings, valves, dry-disconnects, swivels, and other fluid transfer and control products. The company's global reach includes a wide range of products for numerous industries including petroleum exploration, refining, transportation, chemical processing, food & beverage, steel, fire protection, construction, mining and manufacturing. Dixon's strategic objective is to create solutions that make products safer, leak-free, longer lasting, and always available.

dixonvalve.com • *Customer Service:* **877.963.4966**



The Right Connection®

Dixon Quick Coupling

2925 Chief Court
Dallas, NC 28034
sales / technical support ph: 704.334.9175 • 800.839.8980
sales / technical support fx: 704.334.9002 • 800.839.9022
dqe_sales@dixonvalve.com

